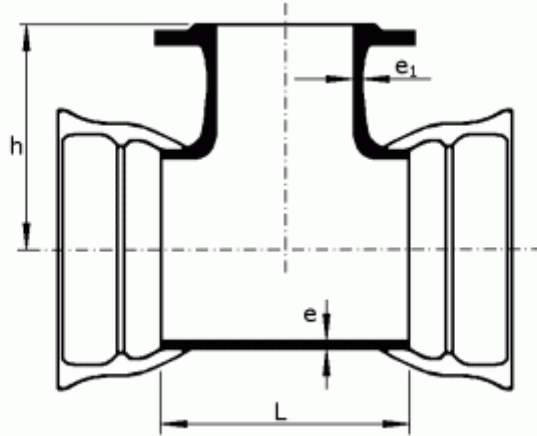




●Type T Double Socket Tee with Flanged Branch



K=14

Unit: mm

Body			Branch			Weight (kg)				Body			Branch			Weight (kg)			
DN	e	L	dn	e ₁	h	PN 10	PN 16	PN 25	PN 40	DN	e	L	dn	e ₁	h	PN 10	PN 16	PN 25	PN 40
80	8.1	170	80	8.1	165	13.5	13.5	13.5	13.5	600	15.4	200	80	8.1	475	165.7	165.7	165.7	-
100	8.4	170	80	8.1	175	15.8	15.8	15.8	15.8	15.4	220	100	8.4	480	170.8	170.8	171.3	-	-
	8.4	190	100	8.4	180	17.2	17.2	17.7	17.7	15.4	280	150	9.1	490	180.0	180.0	181.0	-	-
150	9.1	170	80	8.1	205	23.0	23.0	23.0	23.0	15.4	340	200	9.8	500	189.0	189.0	191.0	-	-
	9.1	195	100	8.4	210	24.5	24.5	25.0	25.0	15.4	455	300	11.2	520	235.3	234.9	240.5	-	-
	9.1	255	150	9.1	220	29.5	29.5	30.5	32.5	15.4	570	400	12.6	540	258.0	263.0	274.0	-	-
200	9.8	175	80	8.1	235	31.5	31.5	31.5	31.5	15.4	630	450	13.3	550	284.3	292.9	308.4	-	-
	9.8	200	100	8.4	240	33.5	33.5	34.0	34.0	15.4	800	600	15.4	580	340.0	366.0	380.0	-	-
	9.8	255	150	9.1	250	39.0	39.0	40.0	42.0	700	16.8	285	150	9.1	520	225.0	225.0	-	-
	9.8	315	200	9.8	260	45.6	46.0	47.5	53.0	16.8	345	200	9.8	525	242.0	242.0	-	-	-
250	10.5	180	80	8.1	265	42.0	42.0	42.0	42.0	16.8	575	400	12.6	555	320.0	325.0	-	-	-
	10.5	200	100	8.4	270	43.5	43.5	44.0	44.0	16.8	635	450	13.3	560	337.7	346.3	-	-	-
	10.5	260	150	9.1	280	52.5	52.5	53.5	55.6	16.8	925	700	16.8	600	460.0	475.0	-	-	-
	10.5	315	200	9.8	290	57.0	57.0	59.0	64.5	800	18.2	290	150	9.1	580	284.0	284.0	-	-
	10.5	375	250	10.5	300	65.0	66.0	69.0	79.0	18.2	350	200	9.8	585	306.0	306.0	-	-	-
300	11.2	180	80	8.1	295	52.3	52.3	52.3	52.3	18.2	580	400	12.6	615	398.0	403.0	-	-	-
	11.2	205	100	8.4	300	55.0	55.0	56.0	56.0	18.2	640	450	13.3	620	439.1	447.7	-	-	-
	11.2	260	150	9.1	310	65.9	65.9	66.9	69.0	18.2	1045	600	15.4	645	579.0	605.0	-	-	-
	11.2	320	200	9.8	320	71.0	70.0	73.0	73.0	18.2	1045	800	18.2	675	623.0	642.0	-	-	-
	11.2	380	250	10.5	330	82.7	82.3	86.2	96.3	900	19.6	300	150	9.1	640	355.0	355.0	-	-
	11.2	435	300	11.2	340	89.0	91.0	95.0	110.0	19.6	355	200	9.8	645	379.0	379.0	-	-	-
350	11.9	185	80	8.1	325	67.1	67.1	67.1	-	19.6	590	400	12.6	675	490.0	495.0	-	-	-
	11.9	205	100	8.4	330	68.0	68.0	68.0	-	19.6	645	450	13.3	680	545.2	553.8	-	-	-
	11.9	270	150	9.1	340	80.8	80.8	81.8	-	19.6	1170	600	15.4	705	748.0	774.0	-	-	-
	11.9	325	200	9.8	350	86.0	86.0	88.0	-	19.6	1170	900	19.6	750	814.0	838.0	-	-	-
	11.9	495	350	11.9	380	117.0	120.0	129.0	-	1000	21.0	360	200	9.8	705	462.0	462.0	-	-



K=14 Unit: mm

Body			Branch			Weight (kg)				Body			Branch			Weight (kg)			
DN	e	L	dn	e ₁	h	PN 10	PN 16	PN 25	PN 40	DN	e	L	dn	e ₁	h	PN 10	PN 16	PN 25	PN 40
400	12.6	185	80	8.1	355	80.0	80.0	80.0	-	1100	21.0	595	400	12.6	735	591.0	596.0	-	-
	12.6	210	100	8.4	360	83.0	83.0	83.0	-		21.0	650	450	13.3	740	657.0	665.6	-	-
	12.6	270	150	9.1	370	98.3	98.3	99.3	-		21.0	1290	600	15.4	765	947.0	973.0	-	-
	12.6	325	200	9.8	380	103.0	102.0	104.0	-		21.0	1290	1000	21.0	825	1044.0	1086.0	-	-
	12.6	440	300	11.2	400	130.6	130.2	135.8	-		22.4	370	200	9.8	765	608.0	607.8	-	-
	12.6	560	400	12.6	420	150.0	156.0	167.0	-		22.4	600	400	12.6	795	747.6	753.2	-	-
450	13.3	190	80	8.1	385	101.3	101.3	101.3	-	1200	22.4	660	450	13.3	800	784.1	792.7	-	-
	13.3	215	100	8.4	390	104.9	104.9	105.4	-		22.4	830	600	15.4	825	892.8	919.3	-	-
	13.3	270	150	9.1	400	115.9	115.9	116.9	-		22.4	1410	1100	25.6	900	1706.8	1742.8	-	-
	13.3	445	300	11.2	430	131.9	131.5	137.1	-		23.8	375	200	9.8	825	790.3	790.1	-	-
	13.3	620	450	13.3	460	188.8	197.4	212.9	-		23.8	605	400	12.6	855	892.5	898.1	-	-
500	14.0	190	80	8.1	415	112.0	112.0	112.0	-	1300	23.8	665	450	13.3	860	926.7	935.3	-	-
	14.0	215	100	8.4	420	116.0	116.0	117.0	-		23.8	840	600	15.4	885	1000.0	1027.0	-	-
	14.0	275	150	9.1	430	137.4	137.4	138.4	-		23.8	1070	800	18.2	915	1190.0	1210.0	-	-
	14.0	330	200	9.8	440	142.0	141.0	143.0	-		23.8	1300	1000	21.0	945	1406.0	1448.0	-	-
	14.0	450	300	11.2	460	171.5	171.1	173.8	-		23.8	1535	1200	23.8	975	1619.8	1684.1	-	-
	14.0	565	400	12.6	480	199.0	205.0	216.0	-										
14.0	680	500	14.0	500	232.0	247.0	259.0	-											

SHIN NAN CASTING FACTORY CO., LTD.

SHIN NAN CASTING FACTORY CO., LTD.

SHIN NAN CASTING FACTORY CO., LTD.

SHIN NAN CASTING FACTORY CO., LTD.

SHIN NAN CASTING FACTORY CO., LTD.

SHIN NAN CASTING FACTORY CO., LTD.

SHIN NAN CASTING FACTORY CO., LTD.